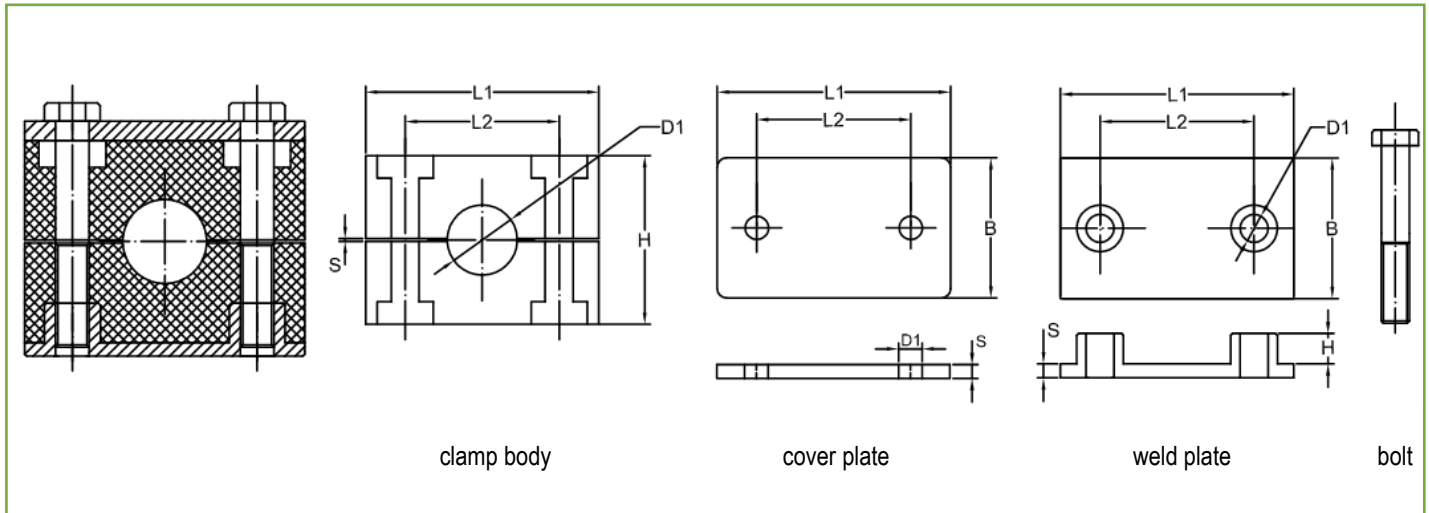


CH*G1 HEAVY PIPE CLAMPS

Hexagon head bolt + cover plate + clamp body + weld plate



SERIES	ORDER CODE	PIPE O.D.D1	INCH BORE	INCH O.D	CLAMP BODY					COVER PLATE					WELD PLATE					BOLT	
					L1	L2	H	S	width	L1	L2	S	B	D1	L1	L2	B	S	H		D
H1	CH*G1-106	6			55	33	32	2	30	55	33	8	30	11	74	33	30	8	8	18	M10X45
	CH*G1-108	8																			
	CH*G1-109.5	9.5		3/8																	
	CH*G1-110	10	1/8																		
	CH*G1-112.7	12.7		1/2																	
	CH*G1-113.5	13.5	1/4																		
	CH*G1-114	14																			
	CH*G1-115	15																			
	CH*G1-116	16		5/8																	
	CH*G1-117.2	17.2	3/8																		
CH*G1-118	18																				
H2	CH*G1-218	18			70	45	48	2	30	70	45	8	30	11	85	45	30	8	8	18	M10X60
	CH*G1-219	19		3/4																	
	CH*G1-220	20																			
	CH*G1-221.3	21.3	1/2																		
	CH*G1-222	22		7/8																	
	CH*G1-225	25		1																	
	CH*G1-226.9	26.9	3/4																		
	CH*G1-228	28																			
CH*G1-230	30																				

Different forms or requirements upon request

Note: acc. to national standard: JB/ZQ4008-97

H3	CH*G1-330	30			85	60	60	2	30	85	60	8	30	11	100	60	30	8	8	18	M10X70
	CH*G1-332	32		1 1/4																	
	CH*G1-33.7	33.7	1																		
	CH*G1-335	35																			
	CH*G1-338	38		1 1/2																	
	CH*G1-340	40																			
	CH*G1-342	42	1 1/4																		
H4	CH*G1-442	42	1 1/4		115	90	89	3	45	115	90	8	45	14	140	90	45	10	8	20	M12X100
	CH*G1-444.5	44.5		1 3/4																	
	CH*G1-448.3	48.3	1 1/2																		
	CH*G1-450.8	50.8		2																	
	CH*G1-455	55																			
	CH*G1-457	57		2 1/4																	
	CH*G1-460.3	60.3	2																		
	CH*G1-463.5	63.5		2 1/2																	
	CH*G1-465																				
	CH*G1-470																				
H5	CH*G1-570	70			150	122	120	3.5	60	150	122	8	60	18	180	122	60	10	12	24	M16X130
	CH*G1-575	70																			
	CH*G1-576.1	76.1	2 1/2	3																	
	CH*G1-580	80																			
	CH*G1-582.5	82.5		3 1/4																	
	CH*G1-588.9	88.9	3																		
H6	CH*G1-688.9	88.9	3		205	168	167	4	80	205	168	12	80	22	225	168	80	15	18	30	M20X190
	CH*G1-6100	100																			
	CH*G1-6102	102	3 1/2																		
	CH*G1-6108	108		4 1/4																	
	CH*G1-6114	114	4																		
	CH*G1-6127	127		5																	
	CH*G1-6133	133		5 1/4																	
H7	CH*G1-7133	133	5 1/4		250	205	200	4	90	250	205	12	90	26	270	205	90	15	21	30	M24X220
	CH*G1-7140	140	5																		
	CH*G1-7152	152		6																	
	CH*G1-7159	159		6 1/4																	
	CH*G1-7165	165		6 1/2																	
	CH*G1-7168	168	6																		
H8	CH*G1-8168	168	6		336	265	270	5	120	336	265	20	120	35	380	265	120	25	21	35	M30X300
	CH*G1-8177.8	193.7		7																	
	CH*G1-8193.7	193.7		7 5/8																	
	CH*G1-8216	216		8 1/2																	
	CH*G1-8219	219	8																		
H9	CH*G1-9219	219	8		470	395	410	8	160	470	395	25	160	25	520	395	160	30	38	40	M30X450
	CH*G1-9273	273	10																		
	CH*G1-9324	324	12																		
H10	CH*G1-10356-10406	356-406	14-16		630	534	530	20	180	630	534	25	168	35	680	534	180	30	38	40	M30X560
H11	CH*G2-11419-11508	419-508	18-20		788	670	660	40	230	788	670	30	230	40	850	670	230	40	40	50	M36X710

Different forms or requirements upon request

Note: acc. to national standard: **JB/ZQ4008-97**