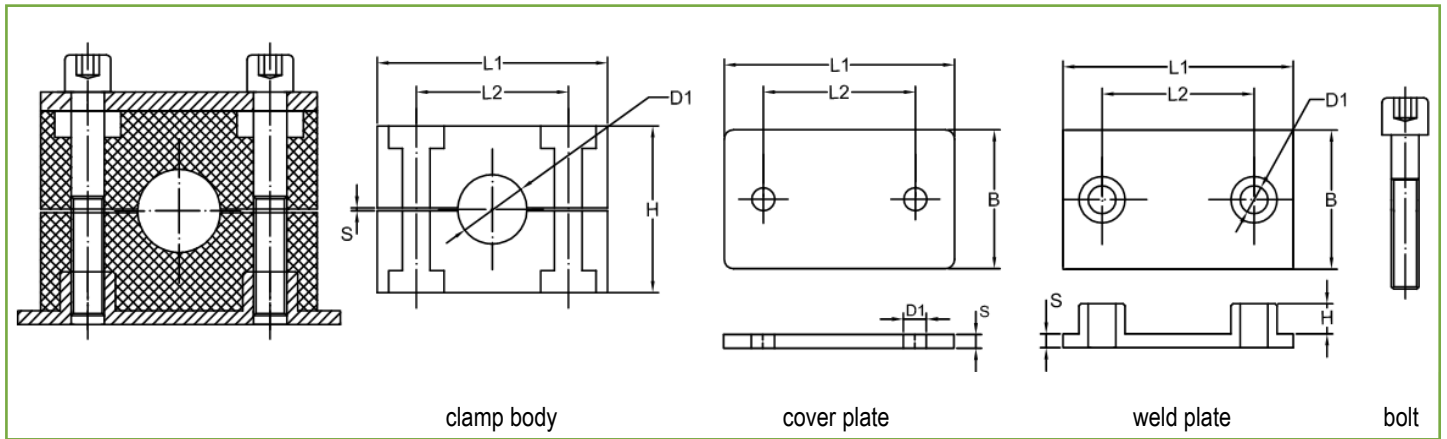


CH*G2 HEAVY PIPE CLAMPS

Socket cap screw + cover plate + clamp body + weld plate



SERIES	ORDER CODE	PIPE O.D.D1	INCH BORE	INCH O.D	CLAMP BODY					COVER PLATE					WELD PLATE						BOLT	
					L1	L2	H	S	width	L1	L2	S	B	D1	L1	L2	B	S	H	D		
H1	CH*G2-106	6																				
	CH*G2-108	8																				
	CH*G2-109.5	9.5		3/8																		
	CH*G2-110	10	1/8																			
	CH*G2-112.7	12.7		1/2																		
	CH*G2-113.5	13.5	1/4		55	33	32	2	30	55	33	8	30	11	74	33	30	8	8	18	M10X45	
	CH*G2-114	14																				
	CH*G2-115	15																				
	CH*G2-116	16		5/8																		
	CH*G2-117.2	17.2	3/8																			
CH*G2-118	18																					
H2	CH*G2-218	18																				
	CH*G2-219	19		3/4																		
	CH*G2-220	20																				
	CH*G2-221.3	21.3	1/2																			
	CH*G2-222	22		7/8	70	45	48	2	30	70	45	8	30	11	85	45	30	8	8	18	M10X60	
	CH*G2-225	25		1																		
	CH*G2-226.9	26.9	3/4																			
	CH*G2-228	28																				
CH*G2-230	30																					

Different forms or requirements upon request

Note: acc. to national standard: JB/ZQ4008-97

H3	CH*G2-330	30			85	60	60	2	30	85	60	8	30	11	100	60	30	8	8	18	M10X70
	CH*G2-332	32		1 1/4																	
	CH*G2-33.7	33.7	1																		
	CH*G2-335	35																			
	CH*G2-338	38		1 1/2																	
	CH*G2-340	40																			
	CH*G2-342	42	1 1/4																		
H4	CH*G2-442	42	1 1/4		115	90	89	3	45	115	90	8	45	14	140	90	45	10	8	20	M12X100
	CH*G2-444.5	44.5		1 3/4																	
	CH*G2-448.3	48.3	1 1/2																		
	CH*G2-450.8	50.8		2																	
	CH*G2-455	55																			
	CH*G2-457	57		2 1/4																	
	CH*G2-460.3	60.3	2																		
	CH*G2-463.5	63.5		2 1/2																	
	CH*G2-465																				
CH*G2-470																					
H5	CH*G2-570	70			150	122	120	3.5	60	150	122	8	60	18	180	122	60	10	12	24	M16X130
	CH*G2-575	70																			
	CH*G2-576.1	76.1	2 1/2	3																	
	CH*G2-580	80																			
	CH*G2-582.5	82.5		3 1/4																	
	CH*G2-588.9	88.9	3																		
H6	CH*G2-688.9	88.9	3		205	168	167	4	80	205	168	12	80	22	225	168	80	15	18	30	M20X190
	CH*G2-6100	100																			
	CH*G2-6102	102	3 1/2																		
	CH*G2-6108	108		4 1/4																	
	CH*G2-6114	114	4																		
	CH*G2-6127	127		5																	
	CH*G2-6133	133		5 1/4																	
H7	CH*G2-7133	133		5 1/4	250	205	200	4	90	250	205	12	90	26	270	205	90	15	21	30	M24X220
	CH*G2-7140	140	5																		
	CH*G2-7152	152		6																	
	CH*G2-7159	159		6 1/4																	
	CH*G2-7165	165		6 1/2																	
	CH*G2-7168	168	6																		
H8	CH*G2-8168	168	6		336	265	270	5	120	336	265	20	120	35	380	265	120	25	21	35	M30X300
	CH*G2-8177.8	193.7		7																	
	CH*G2-8193.7	193.7		7 5/8																	
	CH*G2-8216	216		8 1/2																	
	CH*G2-8219	219	8																		
H9	CH*G2-9219	219	8		470	395	410	8	160	470	395	25	160	35	520	395	160	30	38	40	M30X450
	CH*G2-9273	273	10																		
	CH*G2-9324	324	12																		
H10	CH*G2-10356-10406	356-406	14-16		630	534	530	20	180	630	534	25	168	35	680	534	180	30	38	40	M30X560
H11	CH*G2-11419-11508	419-508	18-20		788	670	660	40	230	788	670	30	230	30	850	670	230	40	40	50	M36X710

Different forms or requirements upon request

Note: acc. to national standard: **JB/ZQ4008-97**