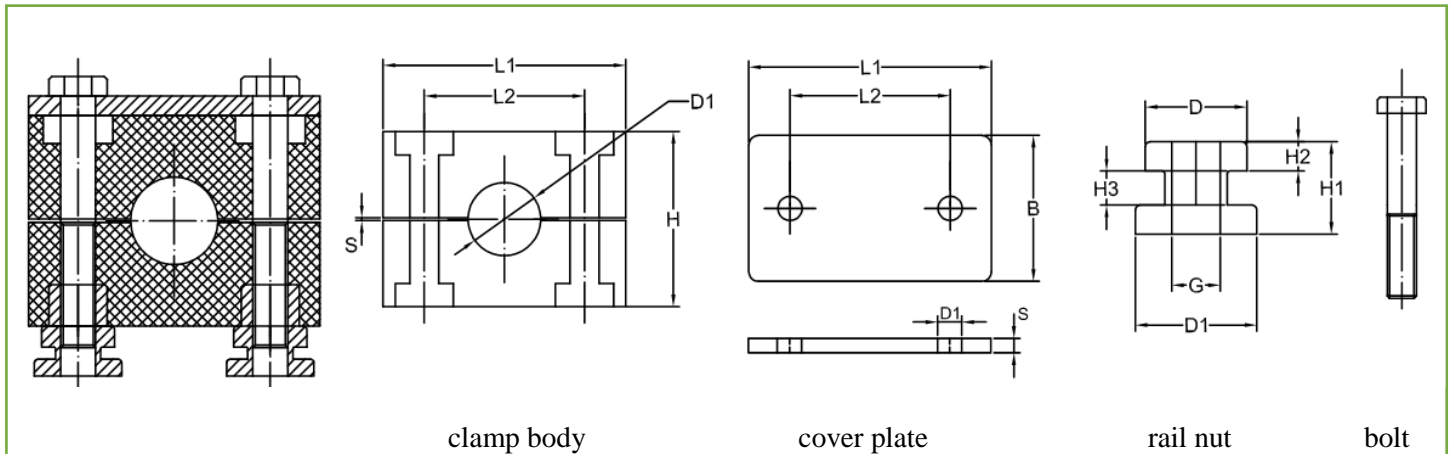


CH\*G3 HEAVY PIPE CLAMPS

Hexagon head bolt + cover plate + clamp body + rail nut



SERIES	ORDER CODE	PIPE O.D.D1	INCH BORE	INCH O.D	CLAMP BODY					COVER PLATE					WELD PLATE						BOLT
					L1	L2	H	S	width	L1	L2	S	B	D1	H1	H2	H3	D	D1	G	
H1	CH*G3-106	6			55	33	32	2	30	55	33	8	30	11	19	6	7	18	25	M10	M10X45
	CH*G3-108	8																			
	CH*G3-109.5	9.5		3/8																	
	CH*G3-110	10	1/8																		
	CH*G3-112.7	12.7		1/2																	
	CH*G3-113.5	13.5	1/4																		
	CH*G3-114	14																			
	CH*G3-115	15																			
	CH*G3-116	16	5/8																		
	CH*G3-117.2	17.2	3/8																		
CH*G3-118	18																				
H2	CH*G3-218	18			70	45	48	2	30	70	45	8	30	11	19	6	7	18	25	M10	M10X60
	CH*G3-219	19		3/4																	
	CH*G3-220	20																			
	CH*G3-221.3	21.3	1/2																		
	CH*G3-222	22	7/8																		
	CH*G3-225	25	1																		
	CH*G3-226.9	26.9	3/4																		
	CH*G3-228	28																			
CH*G3-230	30																				

Different forms or requirements upon request

Note: acc. to national standard: **JB/ZQ4008-97**

H3	CH*G3-330	30			85	60	60	2	30	85	60	8	30	11	19	6	7	18	28	M10	M10X70
	CH*G3-332	32		1 1/4																	
	CH*G3-33.7	33.7	1																		
	CH*G3-335	35																			
	CH*G3-338	38		1 1/2																	
	CH*G3-340	40																			
	CH*G3-342	42	1 1/4																		
H4	CH*G3-442	42	1 1/4		115	90	89	3	45	115	90	8	45	14	22	7	7	20	25	M12	M12X100
	CH*G3-444.5	44.5		1 3/4																	
	CH*G3-448.3	48.3	1 1/2																		
	CH*G3-450.8	50.8		2																	
	CH*G3-455	55																			
	CH*G3-457	57		2 1/4																	
	CH*G3-460.3	60.3	2																		
	CH*G3-463.5	63.5		2 1/2																	
	CH*G3-465																				
	CH*G3-470																				