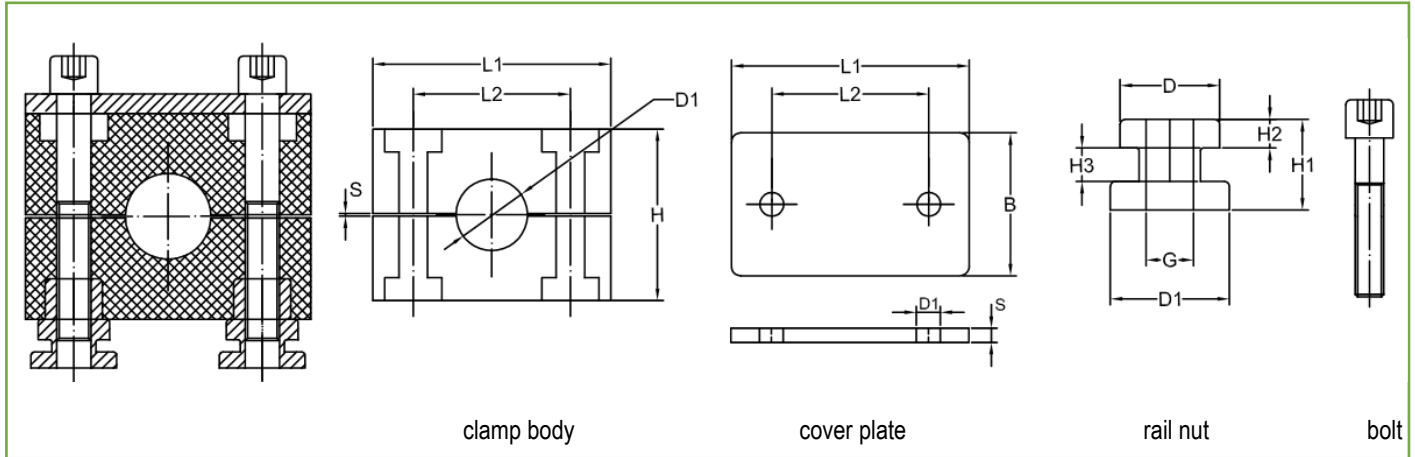


CH*G4 HEAVY PIPE CLAMPS

Socket cap screw + cover plate + clamp body + rail nut



SERIES	ORDER CODE	PIPE O.D.D1	INCH BORE	INCH O.D	CLAMP BODY					COVER PLATE					WELD PLATE						BOLT				
					L1	L2	H	S	width	L1	L2	S	B	D1	H1	H2	H3	D	D1	G					
H1	CH*G4-106	6																							
	CH*G4-108	8																							
	CH*G4-109.5	9.5		3/8																					
	CH*G4-110	10	1/8																						
	CH*G4-112.7	12.7		1/2																					
	CH*G4-113.5	13.5	1/4		55	33	32	2	30	55	33	8	30	11	19	6	7	18	25	M10	M10X45				
	CH*G4-114	14																							
	CH*G4-115	15																							
	CH*G4-116	16		5/8																					
	CH*G4-117.2	17.2	3/8																						
CH*G4-118	18																								
H2	CH*G4-218	18																							
	CH*G4-219	19		3/4																					
	CH*G4-220	20																							
	CH*G4-221.3	21.3	1/2																						
	CH*G4-222	22		7/8	70	45	48	2	30	70	45	8	30	11	19	6	7	18	25	M10	M10X60				
	CH*G4-225	25		1																					
	CH*G4-226.9	26.9	3/4																						
	CH*G4-228	28																							
CH*G4-230	30																								

Different forms or requirements upon request

Note: acc. to national standard: JB/ZQ4008-97

H3	CH*G4-330	30			85	60	60	2	30	85	60	8	30	11	19	6	7	18	28	M10	M10X70
	CH*G4-332	32		1 1/4																	
	CH*G4-33.7	33.7	1																		
	CH*G4-335	35																			
	CH*G4-338	38		1 1/2																	
	CH*G4-340	40																			
	CH*G4-342	42	1 1/4																		
H4	CH*G4-442	42	1 1/4		115	90	89	3	45	115	90	8	45	14	22	7	7	20	25	M12	M12X100
	CH*G4-444.5	44.5		1 3/4																	
	CH*G4-448.3	48.3	1 1/2																		
	CH*G4-450.8	50.8		2																	
	CH*G4-455	55																			
	CH*G4-457	57		2 1/4																	
	CH*G4-460.3	60.3	2																		
	CH*G4-463.5	63.5		2 1/2																	
	CH*G4-465																				
	CH*G4-470																				

Different forms or requirements upon request

Note: acc. to national standard: **JB/ZQ4008-97**