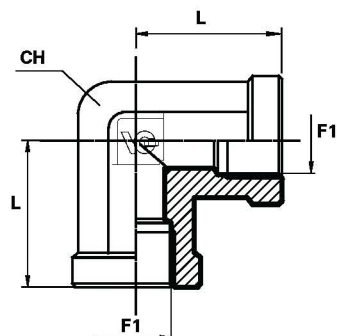


Gomito 90° Femmina fissa Gas cilindrica Femmina fissa Gas cilindrica

90° Adaptor fixed female NPT - fixed female NPT
Adaptateur coude 90° femelle fixe NPT - femelle fixe
NPT
Adapter 90° GSK - IG- NPT / IG- NPT
Codo 90° hembra fija NPT - hembra fija NPT



F1 BSPP, Gas cylindrique, Zylinder - Gasgewindr,
Gas cilindrica

Codice Code Reference Bestell Nr. Codigo	Filetto Thread Fillet Gewinde Rosca	Dimensioni Dimensions Dimensions Maszahlen Dimensiones		PN Bar
		CH mm	L mm	
LFFG02	1/8"	14	17	350
LFFG04	1/4"	19	22.5	300
LFFG06	3/8"	22	26	280
LFFG08	1/2"	27	31	200
LFFG12	3/4"	33	34.5	200
LFFG16	1"	41	41	120