

Adattatore "T"

Femmina fissa Gas cilindrica

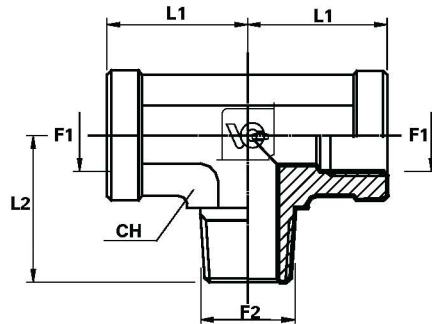
Maschio gas conico al piede

Tee Adaptor fixed female BSPP – male BSPT - fixed female BSPP-

Adaptateur Té femelle fixe BSPP – mâle conique

Adapter T-Stück 2 x IG-zöllig / 1 x AG-Konish (Fuß)

Adaptador Te hembra fija BSPP – macho cónico



F1 BSPP, Gas cylindrique, Zylinder - Gasgewindr, Gas cilindrica

F2 Gas conico BSPT, Gaz conique, Kegliges Gasgewinde
Rosca cónica

Codice
Code
Reference
Bestell Nr.
Codigo

Filetto
Thread
Filet
Gewinde
Rosca

Dimensioni
Dimensions
Dimensions
Maasszahlen
Dimensiones

	F1	F2	CH	L1	L2						PN
			mm	mm	mm						
TFFG02MGK02P	1/8"	1/8"	14	17	20.5						350
TFFG04MGK04P	1/4"	1/4"	19	22.5	28						300
TFFG06MGK06P	3/8"	3/8"	22	26	31						280
TFFG08MGK08P	1/2"	1/2"	27	31	37.5						200
TFFG12MGK12P	3/4"	3/4"	33	34.5	45						200
TFFG16MGK16P	1"	1"	41	41	55						120